

**MAXIMUM RECOMMENDED  
PANEL SIZES**

**NOTE:**

- NO BUSHHAMMER OR FLAME FINISH ON VALDERS RIVER BLUFF OR TRAVERTINE



318 WEST WASHINGTON STREET  
VALDERS, WISCONSIN 54245  
T: 920.775.4151 ~ F: 920.775.4087  
www.valdersstone.com

MATERIALS:

VALDERS RIVER BLUFF & TRAVERTINE

VSM #:

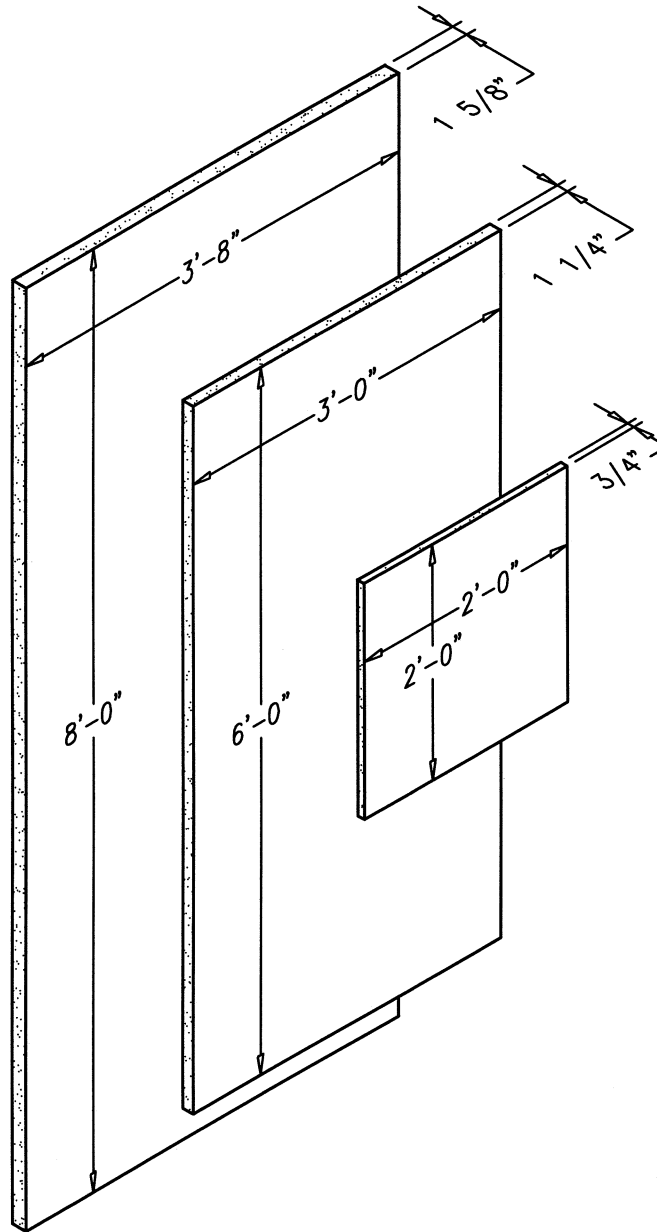
MRPS

AVAILABLE FINISHES:

HONED, SANDBLAST OR HIGH POLISH

SHEET:

VSK-PN1



**MAXIMUM RECOMMENDED  
PANEL SIZES**

**NOTE:**

\* 2" MINIMUM RECOMMENDED THICKNESS FOR BUSHHAMMER FINISH



318 WEST WASHINGTON STREET  
VALDERS, WISCONSIN 54245  
T: 920.775.4151 ~ F: 920.775.4087  
www.valdersstone.com

MATERIALS: VALDERS BUFF, DOVEWHITE, DOVEWHITE BLUSH, PLATINUM & GRAY

AVAILABLE FINISHES:

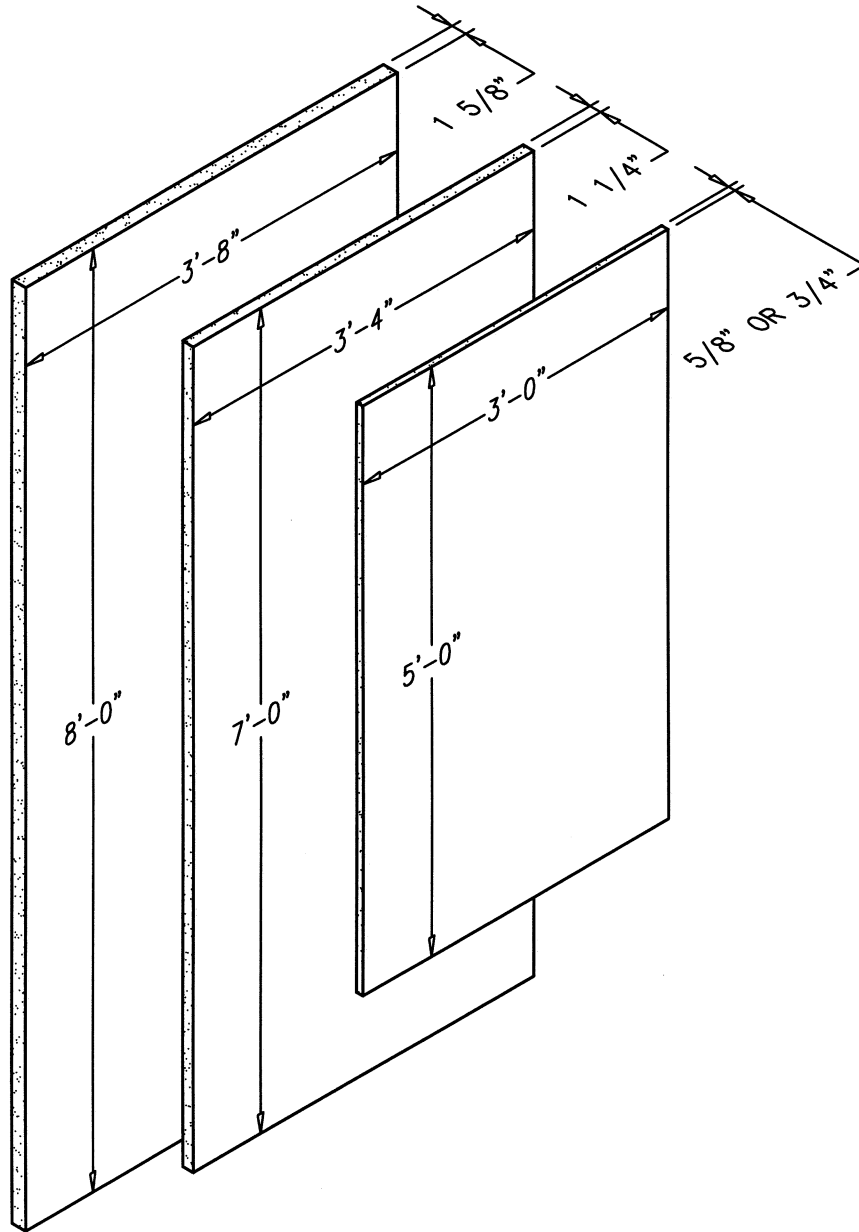
FLAMED, HIGH POLISH OR BUSHHAMMER\*

VSM#:

MRPS

SHEET:

VSK-PN2



**MAXIMUM RECOMMENDED  
PANEL SIZES**



318 WEST WASHINGTON STREET  
VALDERS, WISCONSIN 54245  
T: 920.775.4151 ~ F: 920.775.4087  
www.valdersstone.com

MATERIALS: VALDERS BUFF, DOVEWHITE, DOVEWHITE BLUSH, PLATINUM & GRAY  
AVAILABLE FINISHES:

HONED OR SANDBLAST

VSM#: MRPS  
SHEET: VSK-PN3